



OCCUPANCY VACANCY MOTION SENSOR LIGHT SWITCH

ELEGRP-OCS-300W

ELEGRP OCS is a Occupancy/Vacancy Motion Sensor light switch with PIR infrared motion activated wall switch. No neutral wire is required [grounding wire is required for function]. Single pole for CFL/ LED/ Incandescent Bulb. A wall plate is included. Ultra slim profile, easily fits in electrical box and wall plate.



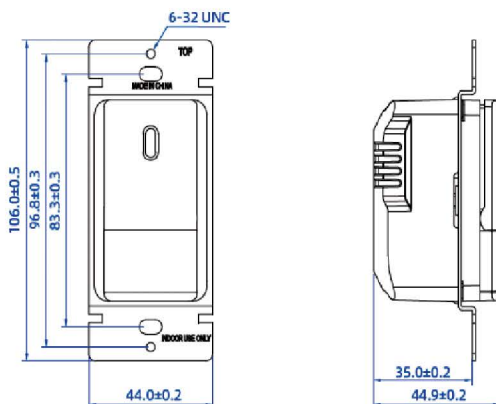
PRODUCT FEATURES

- Occupancy / Vacancy
- Works with 300W LED, 300W CFL and 600W incandescent light bulbs and fixtures
- Can be used as single-pole or 2 location control.
- Features multiple setting modes of Automatic or Manual ON/OFF for different usage scenarios at home. (NOT suitable for 3 way circuit)
- Detect ambient light to adjust light's brightness
- Extremely low standby power consumption. Energy saving and long operating life. Flame resistant material has reached the highest grade of 5VA
- Automatic ON or manual ON is Optional
- Automatic Off
- Adjustable sensitivity from 20% to 100%
- Adjustable time delay from 15 seconds to 30 minutes
- Pet immunity (reduces false triggers)

WARRANTY / LISTING

- UL & CUL listed.
- Input Rating: 120 - 277V, 60Hz
- Operating Temperature: 32° F to 104° F (0 °C to 40° C)
- Wire Gauge: #14 - #12 AWG
- No power pack required for switching

DIMENSIONS



PRODUCT SPECIFICATIONS

Part #	Load rating	Voltage
ELEGRP-OCS-300W	300W LED, CFL 600W Incandescent	AC 120-277 VAC

Specifications subject to change without notice **Alliance LED Solution** - 1309 Coffeen Ave - Suite 1200 - Sheridan, WY 82801
 manager@allianceledsolution.com - 972-555-1212 - allianceledsolution.com